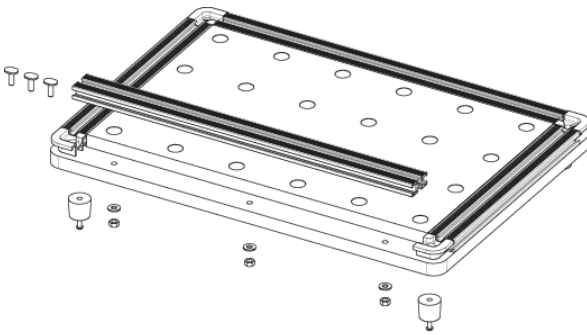


Worksurface™ Risers

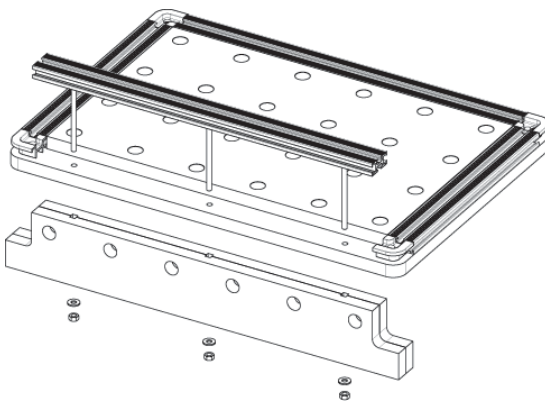
The following tools are required to install the risers:

- Phillips screwdriver
- 7/16" socket

1. Remove the rubber feet.
2. Remove the nuts and washers retaining the track extrusion above where the riser will be located.
3. Lift the track extrusion, along with the T-bolts, from the worksurface, then slide the T-bolts out.



4. Slide the long T-bolts provided into the track extrusion.
5. Align the long T-bolts with the holes in the worksurface and lower into place.
6. Position the riser under the worksurface and insert the long T-bolts into the holes in the riser.



7. Reinstall the washers and nuts and tighten.
8. Repeat for the other riser.